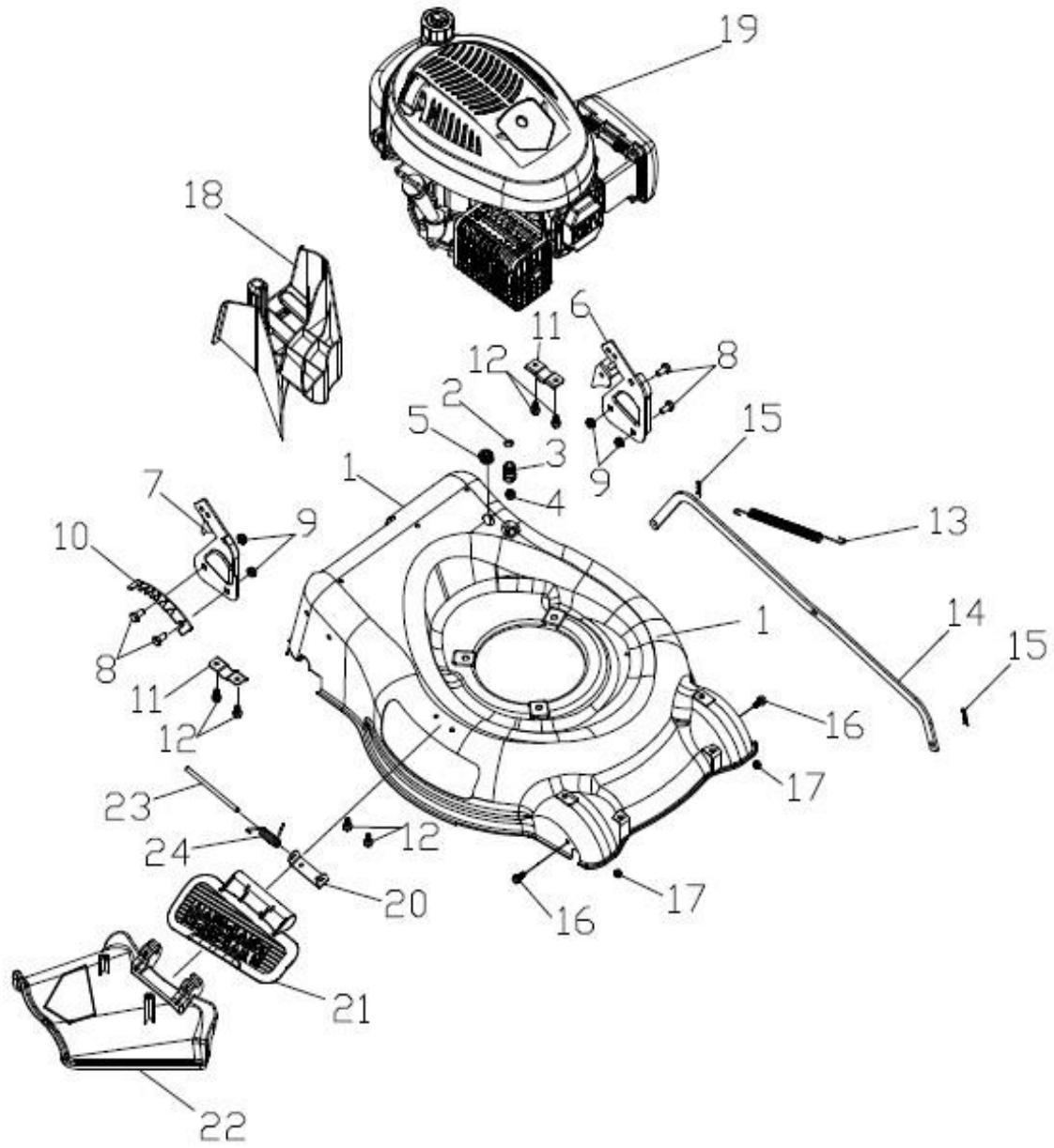
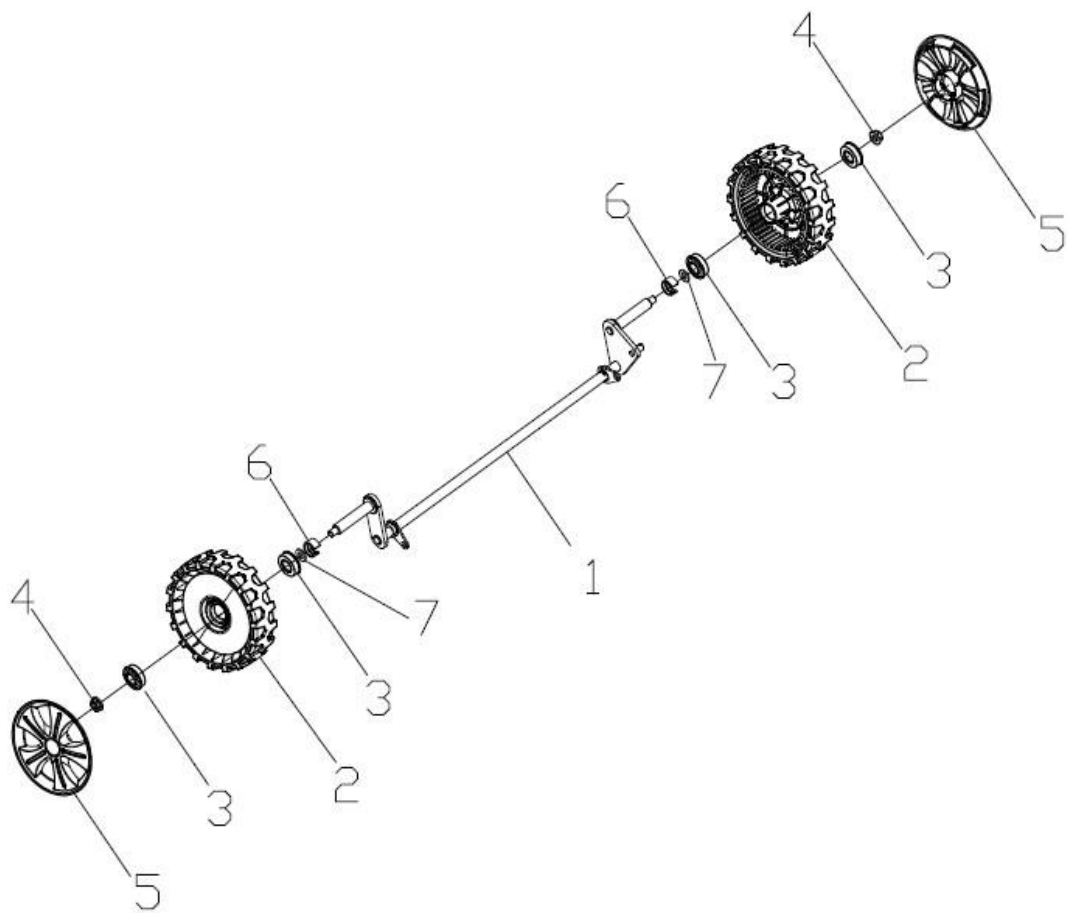


1	foam pipe	
2	stop lever	
3	Self-propelled Lever	
4	upper handrail	
5	Rope Guide	
6	Cap nut	
7	Brake Cable Assy plate	
8	Bolt	
9	Self-locking nut	
10	Plastic stopper	
11	brake cable	
12	selfpropelled cable	
13	quick fix knob	
14	Pin	
15	Quick Fix Handle	
16	lock for fast fix handle	

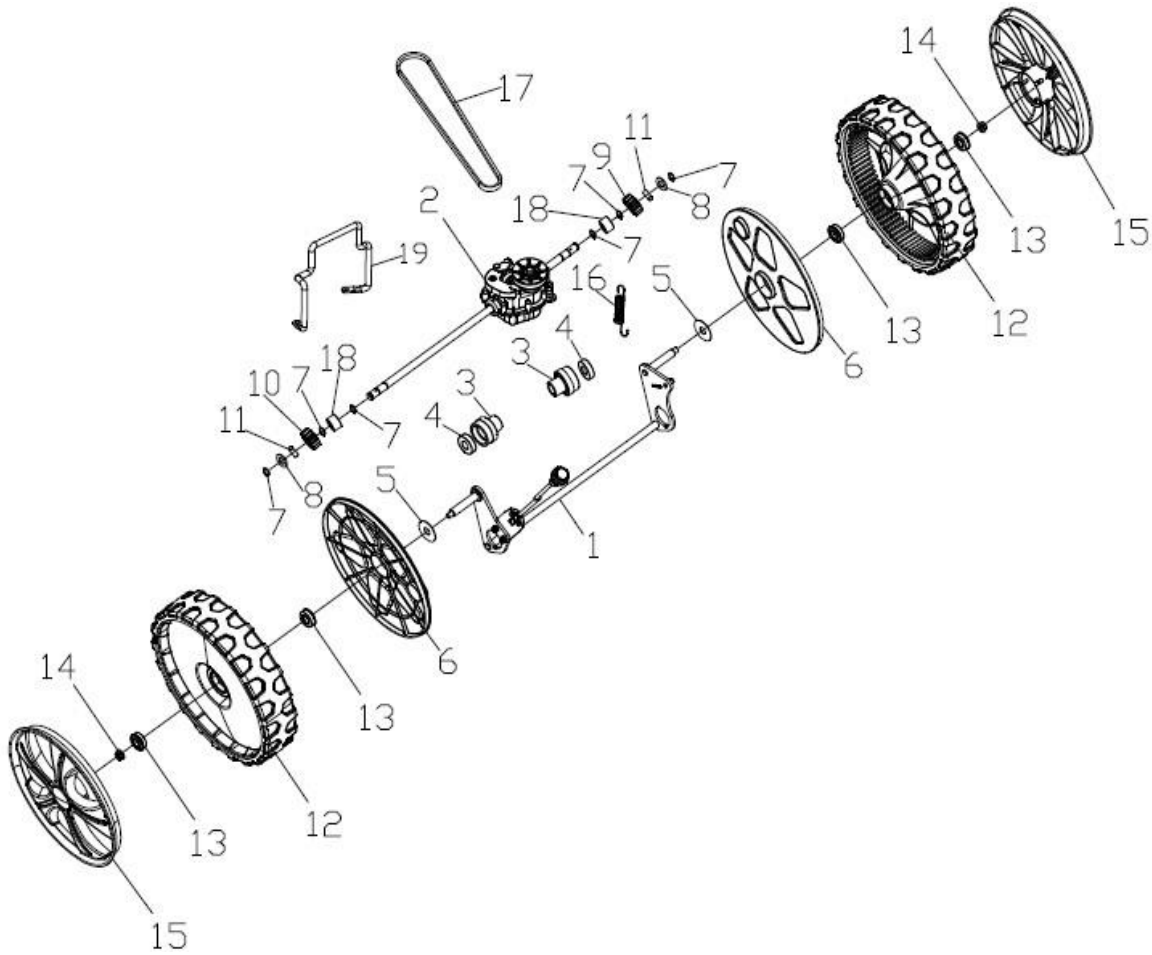
17	flat washer	
18	lock nut	
19	Hexagon nut	
20	lower handrail	
21	fastener	
22	Hexagon head bolts	
23	Half round head square neck boltsbolts	
24	Hex lock nut	
25	triangle knob	



Pol.č.	Item description	
1	deck welding assy.	
2	"O" ring	
3	inlet	
4	Pipe connector nut	
5	cable stopper	
6	left handle bracket	
7	left handle bracket	
8	Hexagon head bolts	
9	Hex lock nut	
10	height adjustment board	
11	rear drive bracket	
12	Hex tapping screws	
13	Pull Spring for Pull Rod	
14	Height Adjustment Pull Rod	
15	R type pin	
16	Bolt	
17	Self-locking nut	
18	mulching plug	
19	petrol engine	
20	Bracket plate for defelctor	
21	mulching board	
22	side discharge cover	
23	Mulch Shaft	
24	mulch board spring	



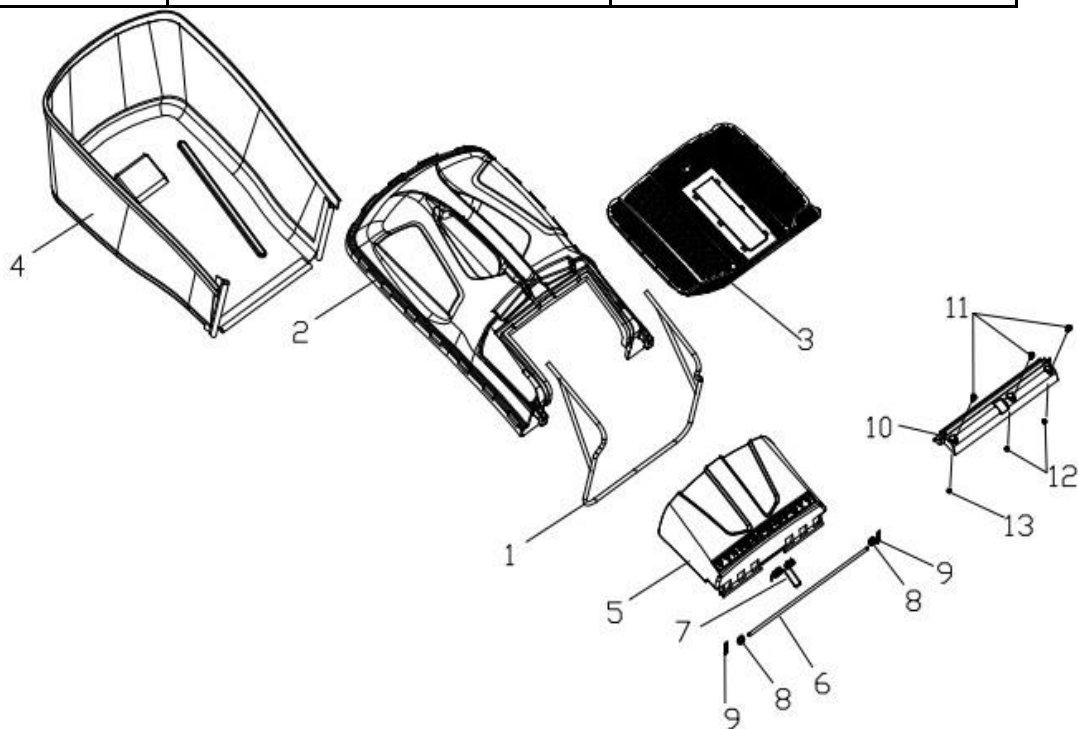
1	front drive assy.	front drive assy.
2	wheel assy.	wheel assy.
3	wheel punch bearing	wheel punch bearing
4	Self-locking nut	Self-locking nut
5	outer cover of hub	outer cover of hub
6	front bracket fastener	front bracket fastener
7	flat washer	flat washer



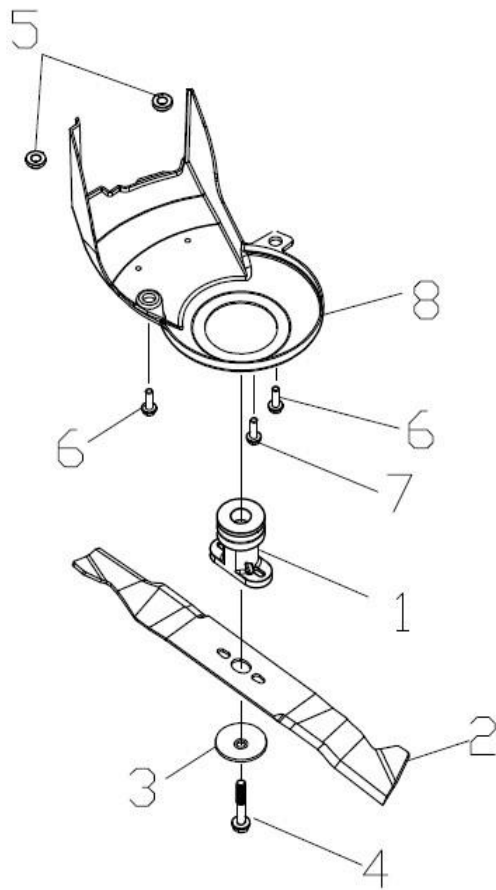
Pol.č.	Item description	
1	rear drive assy.	
	height adjustment ball	
2	selfpropelled assy.	
3	rear wheel axle sleeve	
4	bearing	
5	Gasket	
6	inner cover of hub	
7	spring washer	
8	selfpropelled ratchet washer	
9	Ratchet Wheel L	
10	Ratchet Wheel R	
11	bratchet pin	
12	wheel assy.	
13	wheel punch bearing	
14	Self-locking nut	
15	outer cover of hub	
16	selfpropelled spring	
17	v belt	
18	rear wheel axle sleeve	
19	Brake spring	

545560-6







S511VHY-T












1	fabric metal frame	
2	top of grass box	
3	filter net of grass bag	
4	fabric grass bag	
5	rear discharge cover	
6	Shaft for rear discharge cover	
7	cover spring	
8	lock washer	
9	R type pin	
10	rear discharge cover dust proof board	
11	Bolt	
12	Self-locking nut	
13	Cap nut	



1	Blade Adapter Assy	
2	blade	
3	blade washer	
4	Inch hex flange bolts	
5	Chassis bushing	
6	Hex flange bolts	
7	Hex flange bolts	
8	belt cover	

1	Blade Adapter Assy	
2	blade	
3	wheel assy.	
4	outer cover of hub	
5	wheel assy.	
6	outer cover of hub	

7	wheel punch bearing	
8	belt cover	
9	v belt	
10	mulching board	
11	side discharge cover	
12	quick fix knob	

13	Pin	
14	Quick Fix Handle	
15	flat washer	
16	lock nut	